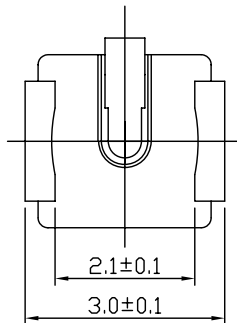
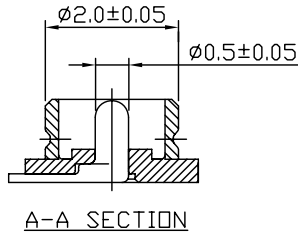
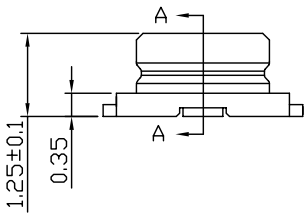
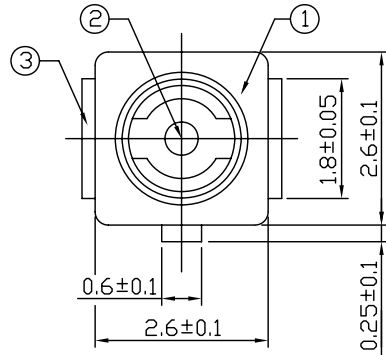


DWG. NO. C-1566230

THIS DRAWING IS UNPUBLISHED. RELEASED FOR PUBLICATION.
 © COPYRIGHT BY TYCO ELECTRONICS. ALL RIGHT RESERVED.



1566230-2	500PCS/PE BAG	3 OF 3
1566230-1	2500PCS/REEL	2 OF 3
P/N	PACKING	PAGE

SPECIFICATIONS:

MECHANICAL CHARACTERISTICS:
 MATING/UNMATING--30 CYCLES

ELECTRICAL CHARACTERISTICS:

IMPEDANCE--50 OHMS
 FREQUENCY RANGE--0-6 GHz (VSWR--1.3 MAX.)
 OPERATING VOLTAGE--500 VOLTS RMS
 CONTACT RESISTANCE--CENTER CONTACT=20 MILLIOHMS MAX.
 OUTER CONTACT=10 MILLIOHMS MAX.
 DIELECTRIC WITHSTANDING VOLTAGE--200 VAC FOR 1 min.
 CURRENT LEAKAGE 2mA MAX.

INSULATION RESISTANCE--500 MEGOHMS MIN.

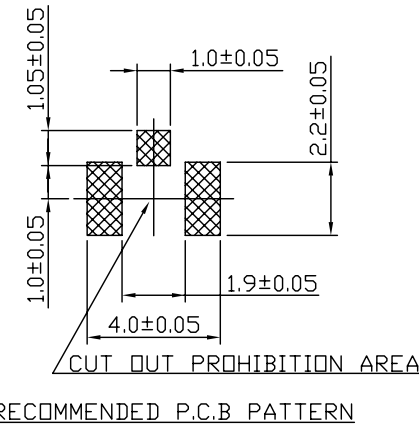
ENVIRONMENTAL CHARACTERISTICS:

TEMPERATURE RANGE-- -40°C TO +90°C

MATERIAL & FINISH:

HOUSING--LCP, UL(94V-0).
 GROUND CONTACT: BRASS--GOLD FLASH WITH UNDERPLATED
 50μ" MIN. NICKEL.
 CENTER CONTACT: BRASS--GOLD FLASH WITH UNDERPLATED
 50μ" MIN. NICKEL.

RoHS 2002/95/EC COMPLIANT.



QTY	U/M	PART NO.	DESCRIPTION	ITEM NO.
1	EA	1-1566230-3	GROUND CONTACT, BRASS WITH GOLD PLATING	3
1	EA	1-1566230-2	CENTER CONTACT, BRASS WITH GOLD PLATING	2
1	EA	1-1566230-1	HOUSING, LCP (UL94V-0)	1

THIS DRAWING IS A CONTROLLING DOCUMENT FROM TYCO ELECTRONICS IT IS SUBJECT TO CHANGE AND THE CONTROLLING ENGINEERING ORGANIZATION SHOULD BE CONTACTED FOR THE LATEST REVISION		SIZE A3	SCALE —	SHEET 1 OF 3	REV A	TYCO ELECTRONICS CABLE SYSTEMS ASIA PACIFIC
DIMENSIONS: MM	TOLERANCES UNLESS OTHERWISE SPECIFIED: 0 PLC ± 1 PLC ± 2 PLC ± 3 PLC ±	DWN M.TSAI	ENG. R.LEE	NAME MINI RF, SMT RECE.		
ANGLES ± SURFACE TEXTURE		CHK J.PI	CHK	DRAWING NO. C-1566230		
		APVD J.CHEN			CUSTOMER DRAWING	

LOC
HY
DIST

REV	DESCRIPTION	DATE	DWN	APV
A	ECR-06-011838	16.MAY.06'	MT	JP
□	FIRST ISSUE	14.APR.06'	MT	JP
LTR	REVISION RECORD	DATE	DWN	APV

4

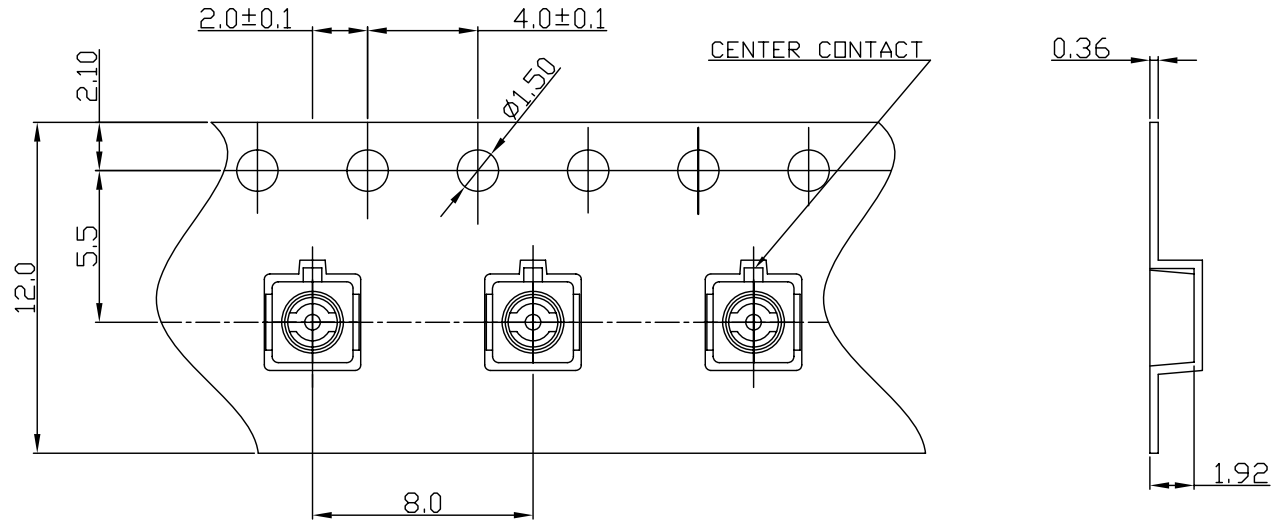
3

2

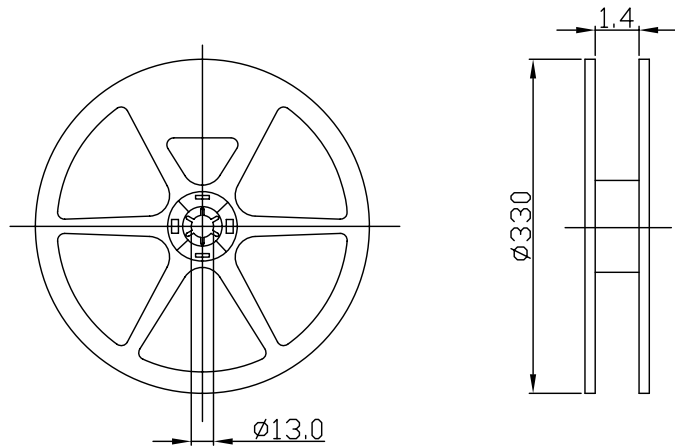
1

DWG. NO.
C-1566230

THIS DRAWING IS UNPUBLISHED. RELEASED FOR PUBLICATION.
© COPYRIGHT BY TYCO ELECTRONICS. ALL RIGHT RESERVED.



DIMENSIONS OF TAPING



DIMENSIONS OF REEL (2500 PIECES/REEL)

1566230-2	500PCS/PE BAG	3 OF 3
1566230-1	2500PCS/REEL	2 OF 3
P/N	PACKING	PAGE

LOC
HY
DIST

A	ECR-06-011838	16.MAY.06'	MT	JP
□	FIRST ISSUE	14.APR.06'	MT	JP
LTR	REVISION RECORD	DATE	DWN	APVE

THIS DRAWING IS A CONTROLLING DOCUMENT FROM TYCO ELECTRONICS IT IS SUBJECT TO CHANGE AND THE CONTROLLING ENGINEERING ORGANIZATION SHOULD BE CONTACTED FOR THE LATEST REVISION

DIMENSIONS: MM	TOLERANCES UNLESS OTHERWISE SPECIFIED: 0 PLC ± 1 PLC ± 2 PLC ± 3 PLC ±
ANGLES ±	SURFACE TEXTURE

SIZE A3	SCALE —	SHEET 2 OF 3	REV A
DWN M.TSAI	ENG. R.LEE	NAME	
CHK J.PI	CHK	DRAWING NO. C-1566230	
APVD J.CHEN	CUSTOMER DRAWING		

tyco Electronics	TYCO ELECTRONICS CABLE SYSTEMS ASIA PACIFIC
NAME MINI RF, SMT RECE.	
DRAWING NO. C-1566230	
CUSTOMER DRAWING	

4

3

2

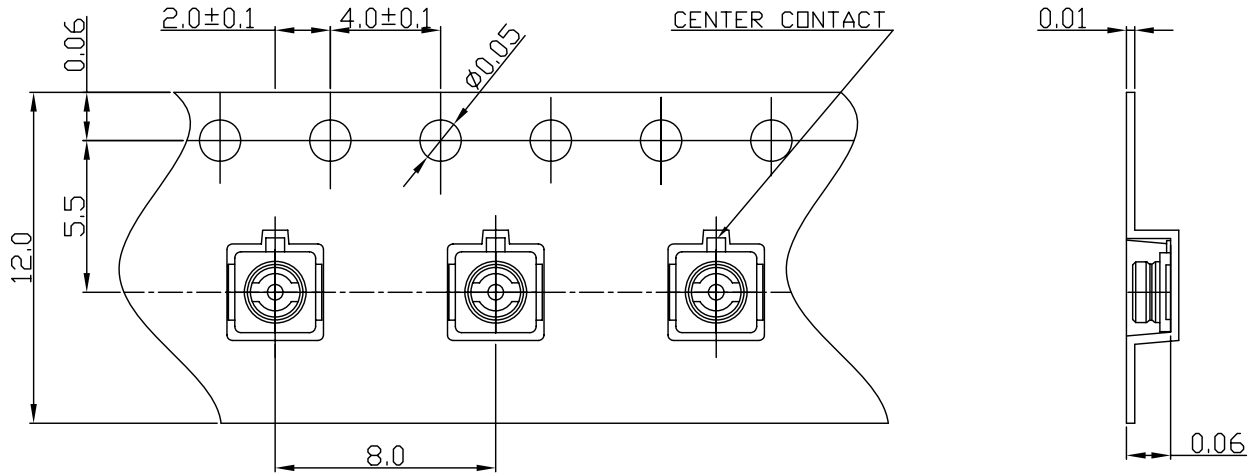
1

D

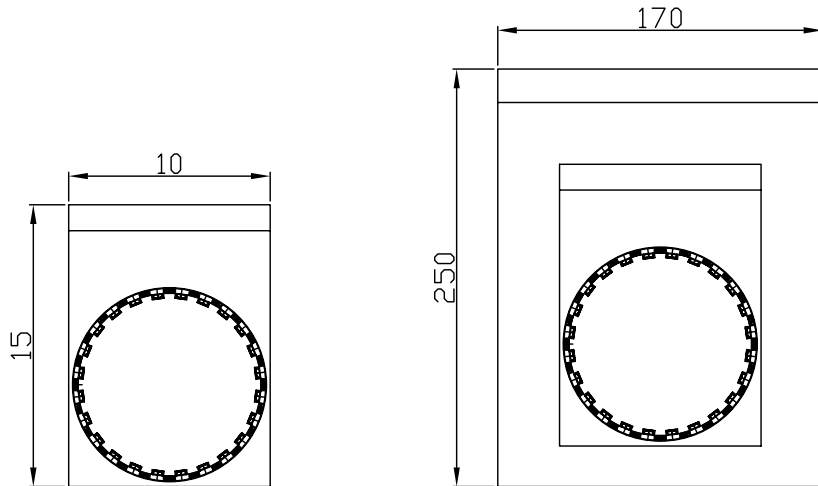
C

B

A



DIMENSIONS OF TAPING



(FIG.1)

(FIG.2)

- NOTES:
 1. 100PCS/SMALL PE BAG. (SEE FIG.1.)
 2. 5 SMALL PE BAGS/LARGE PE BAG. (TOTAL: 500PCS) (SEE FIG.2.)

1566230-2	500PCS/PE BAG	3 OF 3
1566230-1	2500PCS/REEL	2 OF 3
P/N	PACKING	PAGE

THIS DRAWING IS A CONTROLLING DOCUMENT FROM TYCO ELECTRONICS IT IS SUBJECT TO CHANGE AND THE CONTROLLING ENGINEERING ORGANIZATION SHOULD BE CONTACTED FOR THE LATEST REVISION				SIZE A3	SCALE —	SHEET 3 OF 3	REV A	TYCO ELECTRONICS CABLE SYSTEMS ASIA PACIFIC
DIMENSIONS: MM		TOLERANCES UNLESS OTHERWISE SPECIFIED: 0 PLC ± 1 PLC ± 2 PLC ± 3 PLC ±		DWN M.TSAI	ENG. R.LEE	NAME MINI RF, SMT RECE.		
ANGLES ± SURFACE TEXTURE		✓		CHK J.PI	CHK	DRAWING NO. C-1566230		CUSTOMER DRAWING
APVD J.CHEN								

LOC
HY
DIST

A	ECR-06-011838	16.MAY.06'	MT	JP
□	FIRST ISSUE	14.APR.06'	MT	JP
LTR	REVISION RECORD	DATE	DWN	APVE